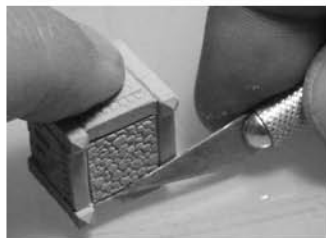


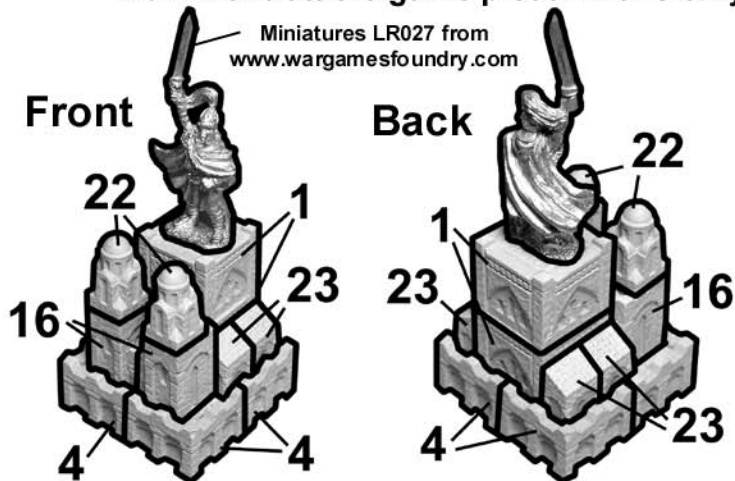
Condottiere pieces

10 castings of mold #371



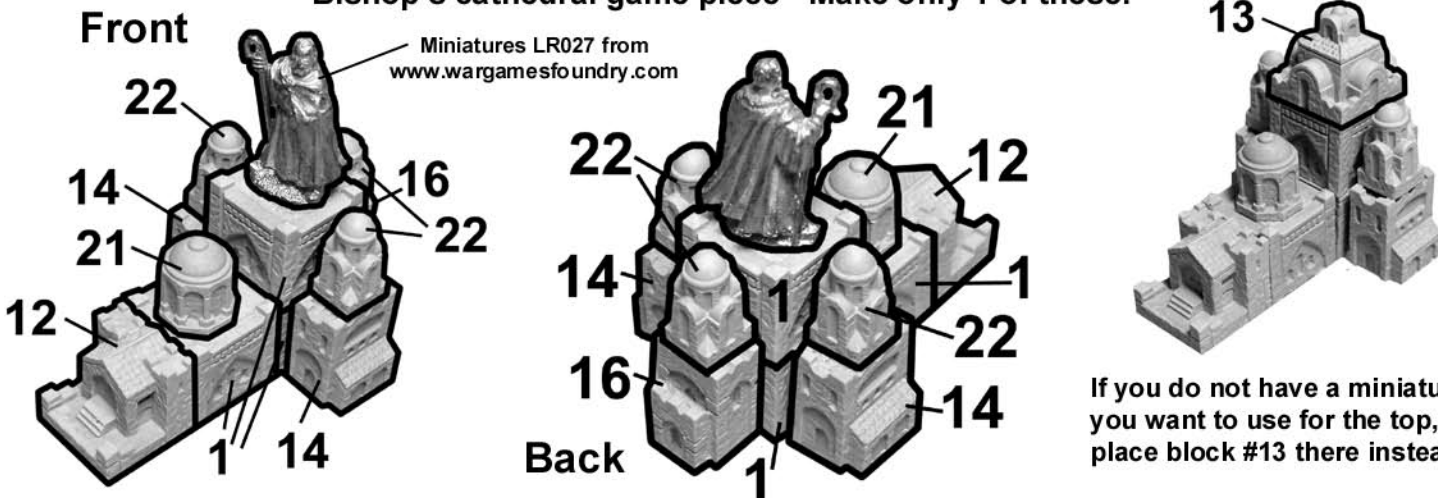
Trim the tips off of block #1 when you need to stack other blocks on top of it.

Main Condottiere game piece - Make only 1 of these.



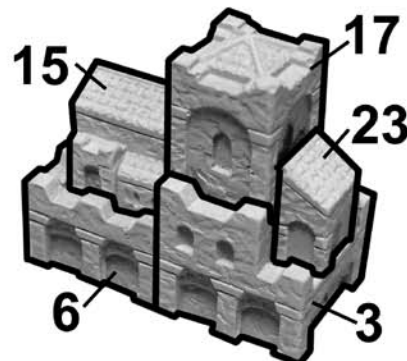
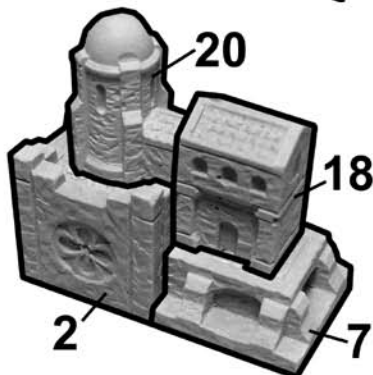
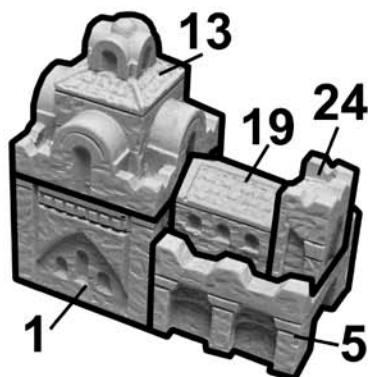
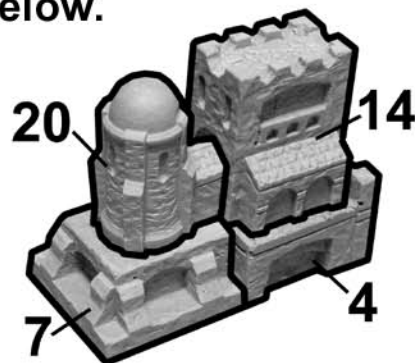
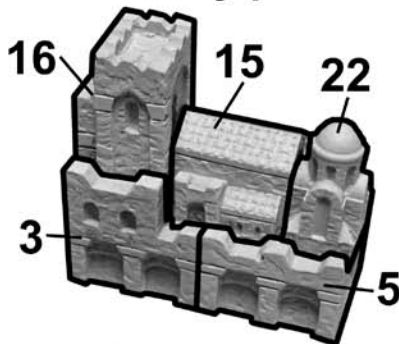
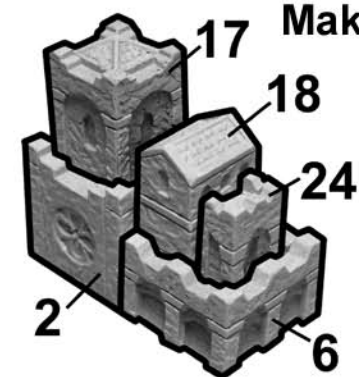
If you do not have a miniature you want to use for the top, place block #13 there instead.

Bishop's cathedral game piece - Make only 1 of these.



If you do not have a miniature you want to use for the top, place block #13 there instead.

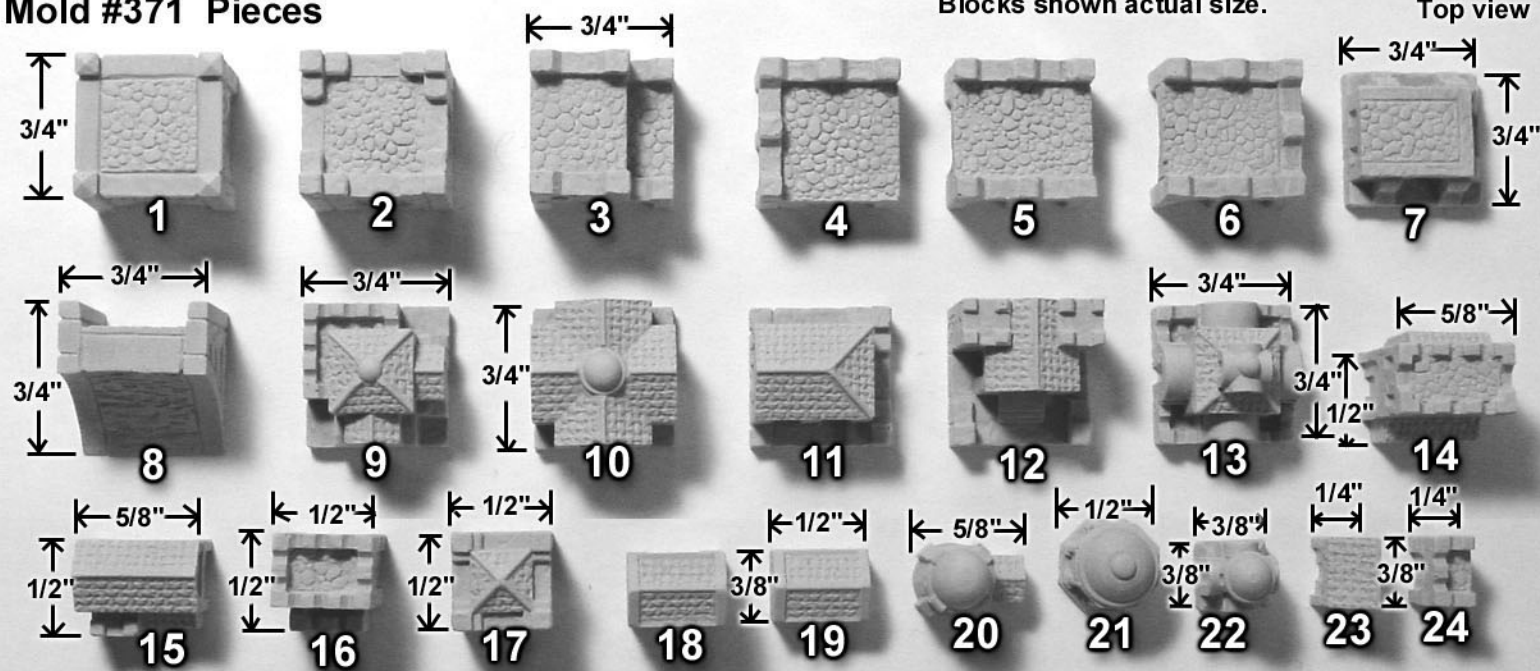
Make 5 copies of every piece show below.



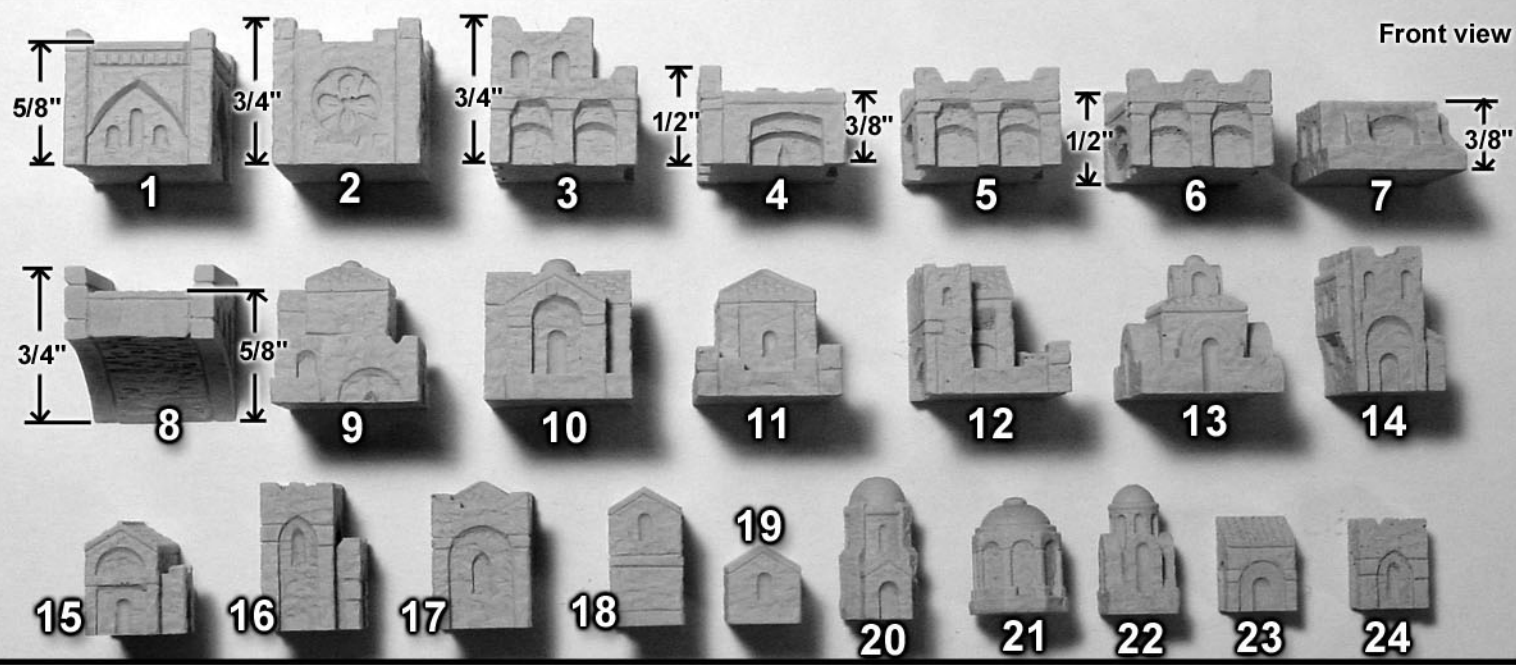
Mold #371 Pieces

Blocks shown actual size.

Top view



Front view



Side view

